

4

3

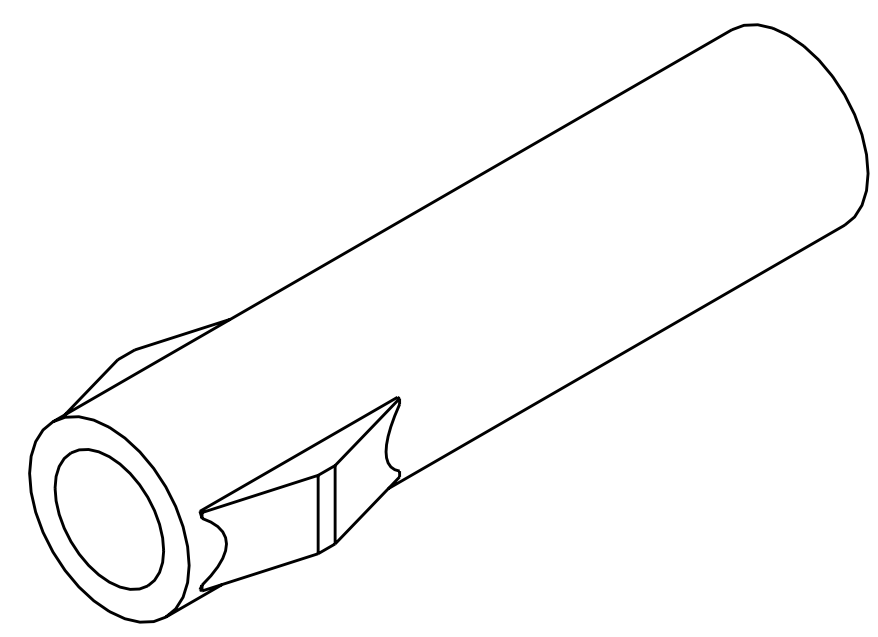
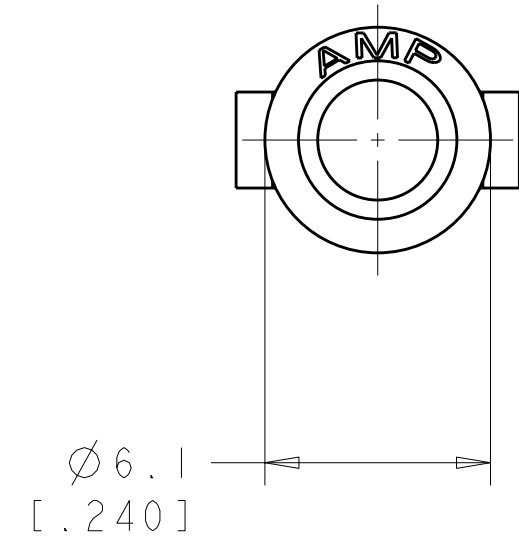
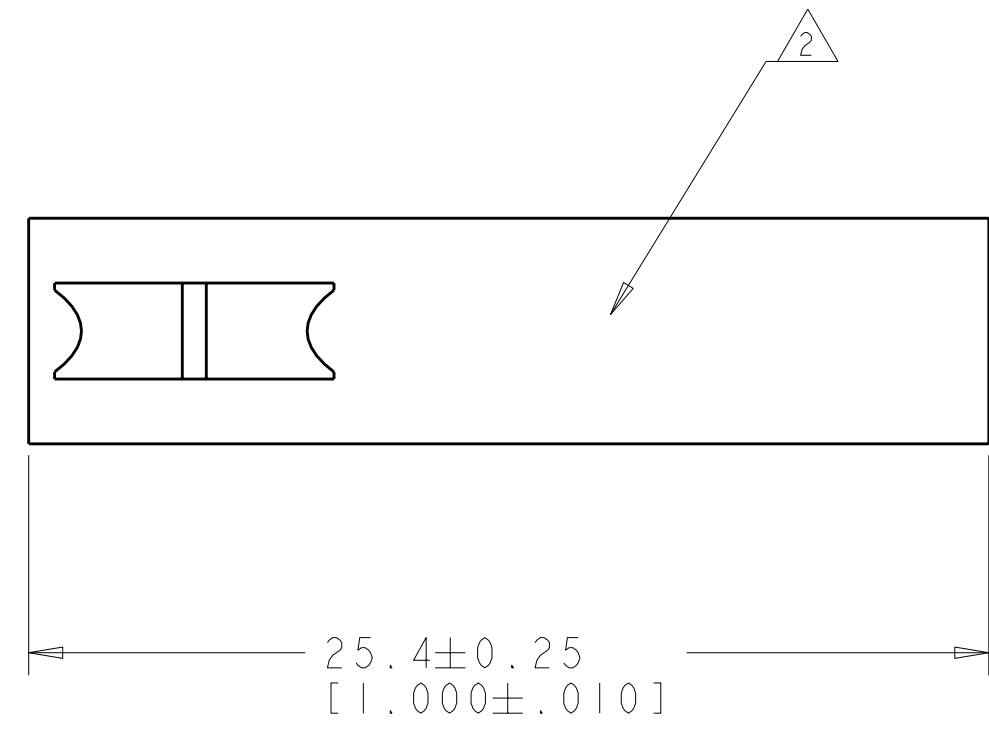
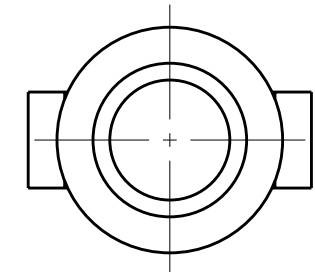
2

1

THIS DRAWING IS UNPUBLISHED. RELEASED FOR PUBLICATION 20
 © COPYRIGHT 20 BY TYCO ELECTRONICS CORPORATION. ALL RIGHTS RESERVED.

LOC	DIST	REVISIONS			
P	LTR	DESCRIPTION	DATE	DWN	APVD
CM	00	D	ECO-07-020239	28AUG2007	KW CC

- ① MATERIAL - NYLON UL94V-2 (NATURAL).
- ② MARKING FOR UL LOGO AND CSA LOGO LOCATED APPROXIMATELY AS SHOWN



METRIC

0.024 IN ³	770063-1
VOLUME	PART NUMBER

THIS DRAWING IS A CONTROLLED DOCUMENT FOR TYCO ELECTRONICS CORPORATION. IT IS SUBJECT TO CHANGE AND THE CONTROLLING ENGINEERING ORGANIZATION SHOULD BE CONTACTED FOR THE LATEST REVISION.		DWN K. WHITAKER 28AUG2007	Tyco Electronics Harrisburg, PA 17105-3608	
DIMENSIONS: mm [INCHES]		CHK C. CASH 28AUG2007	NAME RECEPTACLE, 1 CIRCUIT, .093 COMMERCIAL PIN AND SOCKET	
TOLERANCES UNLESS OTHERWISE SPECIFIED: 0 PLC ±- 1 PLC ±- 2 PLC ±0.13 [.005] 3 PLC ±- 4 PLC ±- ANGLES ±- FINISH		APVD C. CASH 28AUG2007	RESTRICTED TO	
MATERIAL		PRODUCT SPEC	SIZE A200779	CAGE CODE C-770063
		APPLICATION SPEC	DRAWING NO	
		WEIGHT	SCALE 5:1	
		CUSTOMER DRAWING	SHEET 1 OF 1 REV D	